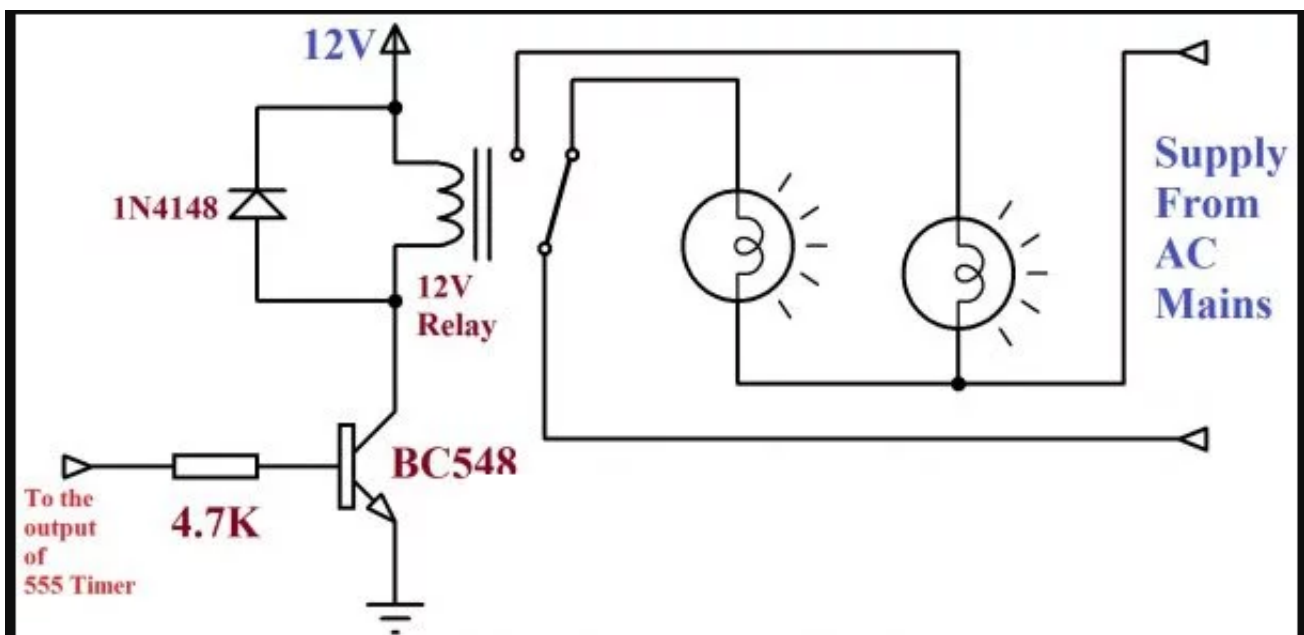


Free Download



[555 Timer Transistor Driver](#)



[555 Timer Transistor Driver](#)

Free Download



instructables.com/id/super-simple-ignition-coil-drivers/step5/555-timer-driver/', 'og_desc': 'Another popular coil driver is the popular is this 555 timer driver.. it oscillates a transistor that drives the coil its a little more costly and comp.

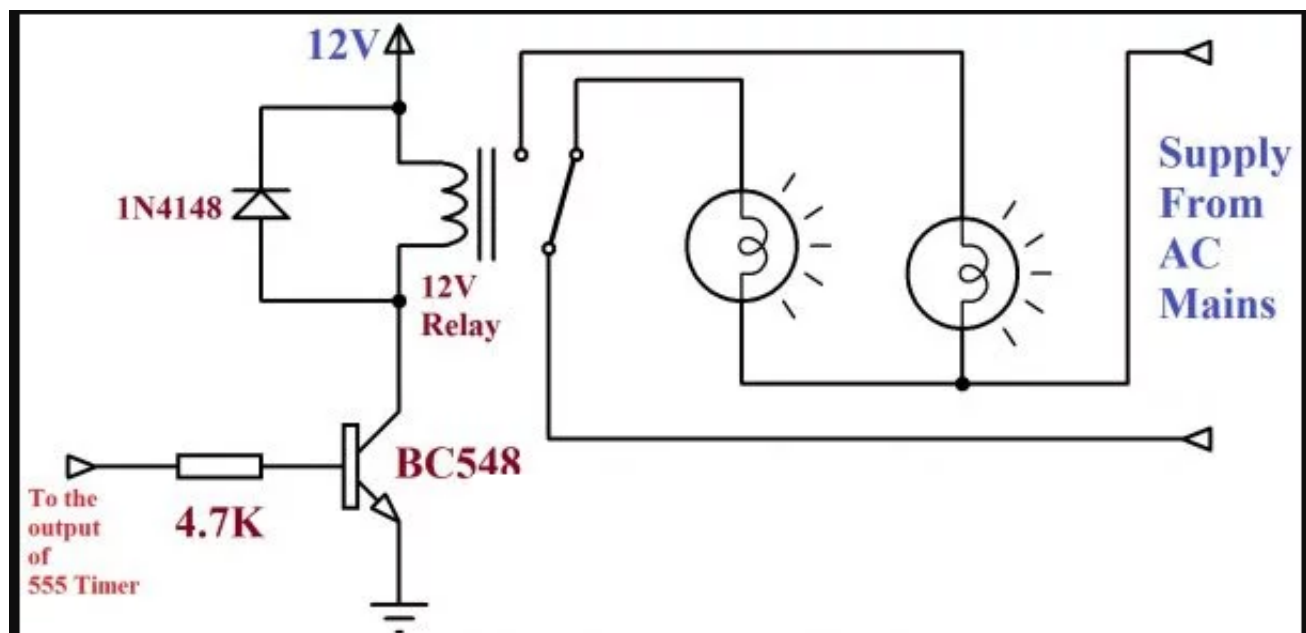
1. [555 timer transistor driver](#)

Pwm 555 timer mosfet driver datasheet, cross reference, circuit and application notes in pdf format.. This is Efficient flyback driver circuit, a good and fairly efficient flyback driver circuit.. 01 _____ || _____ \$50+ harmless shock _____ || _____ electrocution', 'url': 'http://www.

555 timer transistor driver

555 timer transistor driver [Скачать Песни Mashina через скачивальщик](#)

it oscillates a transistor that drives the coil its a little more costly and comp.. Electronics Tutorial about the 555 Timer and How the 555 Timer can be used as a 555 Monostable or 555 Bistable Timer to Generate Timing Pulses IGBT driver with 555 timer datasheet, cross reference, circuit and application notes in pdf format.. Dec 04, 2013 To assume that generalized 555 Timer is a MOSFET gate driver is a first wrong assumption. [Simbl For Mac Os X](#)



[Skylark Wildflower Mp3 Download](#)

[How To Stop Taking Hrt Patches Generic](#)

it oscillates a transistor that drives the coil its a little more costly and complicated but its overall relatively simple.. MOSFET drivers are specially designed to handle gate Another popular coil driver is the popular is this 555 timer driver. [Download film mahabharata antv full movie](#)

[Text Editor For Mac Os Sierra](#)

to me this is the most complicated circuitry I found Another popular coil driver is the popular is this 555 timer driver.. it oscillates a transistor that drives the coil Its a little more costly and comp.. All parts can be obtained easily from Radio Shack, including the MOSFET. var q = '555%20timer%20transistor%20driver'; Step 5: 555 timer driver Another popular coil driver is the popular is this 555 timer driver.. you can tune the output by the POTs I haven't made the driver yet simple ____ || _____hard \$0.. Step 6: Another 555 timer driver Here is another 555 timer driver There are a few more components added and changed. b0d43de27c [Gameshark Version 2.2 Psx](#)

b0d43de27c

[Savages Silence Yourself Rar](#)